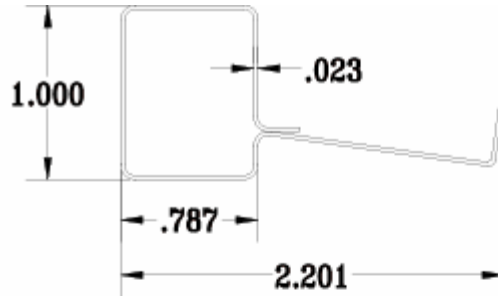
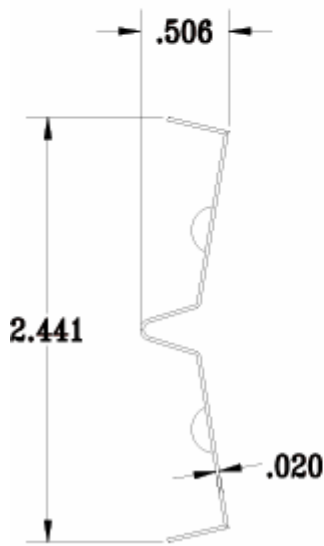


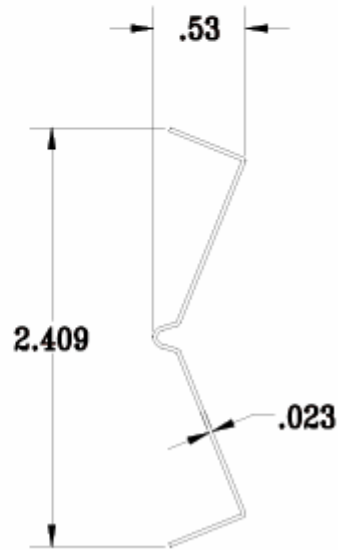
# Air Filter Frame Components—HVAC



S-1796



S-1828



S-2007



ROLL FORMED PRODUCTS COMPANY

Samson Roll Formed Products Company  
6101 West Oakton Street  
Skokie, Illinois 60077

Phone: (847) 965-6700  
Fax: (847) 965-8950  
E-mail: sales@samsonrollform.com

samsonrollform.com