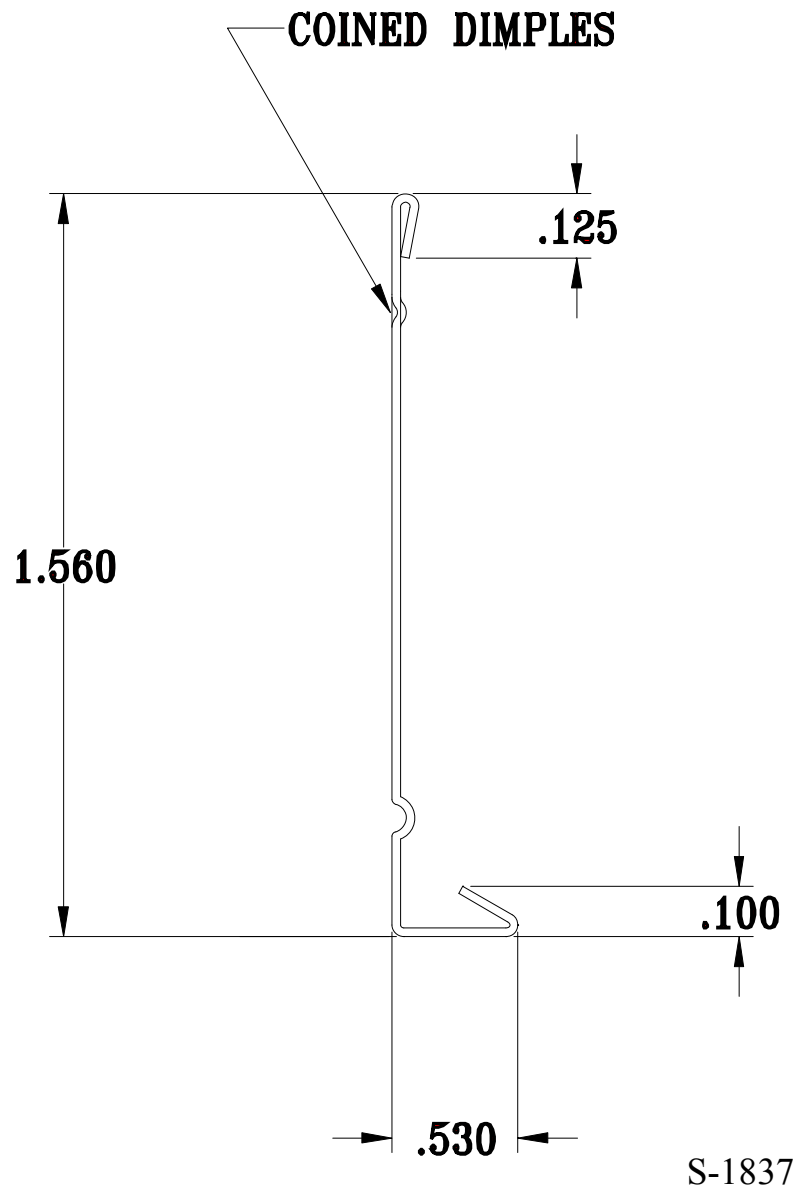


## Nail Fin —Fenestration (Door/Window)



Samson Roll Formed Products Company  
6101 West Oakton Street  
Skokie, Illinois 60077

[samsonrollform.com](http://samsonrollform.com)

Phone: (847) 965-6700  
Fax: (847) 965-8950  
E-mail: [sales@samsonrollform.com](mailto:sales@samsonrollform.com)